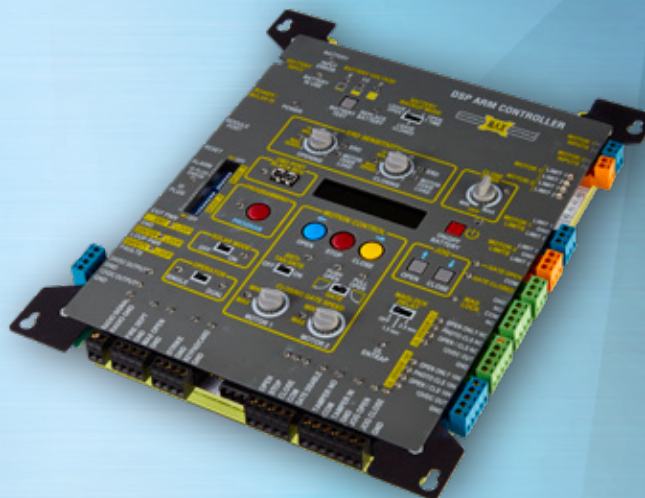
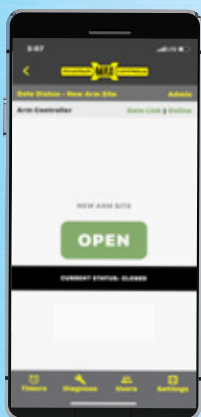


MAX SUPER ARM 1300

Heavy Duty Residential Linear Gate Operator

Overload clutch release on 2-ton impact



MAX CLOUD APP & DSP CONTROLLER

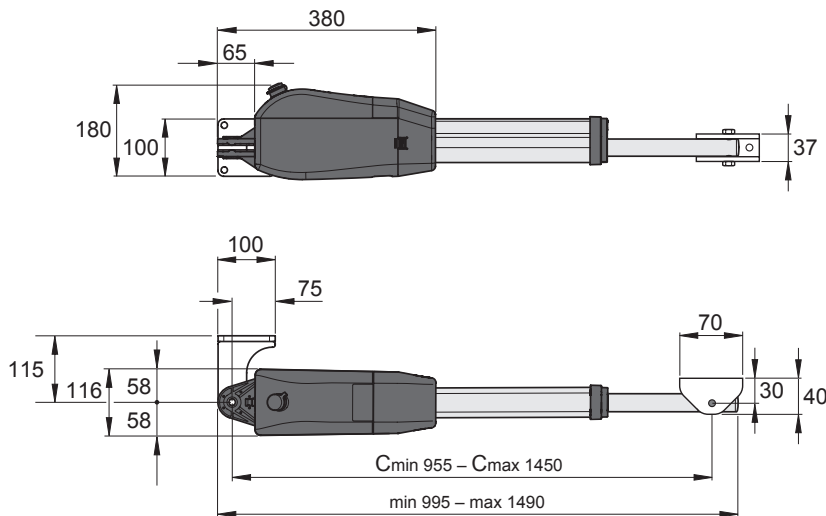
2 Year Warranty
or 100,000 Cycles
whichever comes first



C US
UL 325/991 Compliant
UL 2018 THE NEW STANDARD

MAX SUPER ARM 1300 FEATURE LIST:

MECHANICAL SPECIFICATIONS



- Shipping weight of Actuator: Super Arm 1300 (25 lbs)
- Shipping weight of AC Control Box (38 lbs)
- ✓ The patented brake system allows the operator to retract with extreme force. When the force exceeds 2 tons, the clutch releases upon impact, then automatically resets. Causes for clutch release include a vehicle strike while the gate is in motion.
- Stainless steel output shaft - 1 1/4"
- Direct gear drive (no internal chains, belts, or pulleys)
- Mechanical and electrical gate release functions
- Continuous duty cycle at extreme temperature range. No overheating
- Intelligent ramp-up and ramp-down for smooth gate operation

ELECTRICAL SPECIFICATIONS

- 24 Volt DC motor
- Two independently adjustable closing speed controls with 16 positions each
- Switchable 115/230 voltage selection
- ✓ Adaptive DSP motor control for advanced motion control
- Real time performance analyzer and event log (OBD PORT and Black Box)
- Magic Box enables low voltage wiring capabilities for remote power up to 1000 ft
- On-board switch for solar mode enables 5 milliamp idle in sleep mode
- Gold contact input connections and automobile grade connectors
- -4F to 165F (-20C to +74C) operational range including battery backup without a heater

- Robust lightning protection, up to 20KVolts and 10KAmps on all inputs and outputs (35 channels) including loop detector input connections
- Two selectable 16 position safety obstruction sensors, auto adaptable to gate weight and size, for independent control of open and close cycles
- ✓ Independent closing speeds for primary and secondary
- Dual motor overcurrent safety shut off for additional protection
- Two 7amp hour batteries provide 500 cycles in case of power failure with three modes of battery backup, open once, leave open or leave closed
- On-board three button station
- On-board UL reset button

SECURITY SPECIFICATIONS

- High traffic intuitive loop management system for exceptional security
- Advanced security features with built-in audible and remote alarms
- Magnetic lock control relay outputs with selectable delay times
- Tamper alert relay output triggers “on” if gate is forced open
- Audible alarm if gate is tampered with or ERD is triggered for heightened security
- Steel cover with lock protects against intruders and vandalism
- Gate disable feature disables all inputs with exception of the fire department and Max Open input for increased security
- Built in transaction buffer
- Gate status outputs for gate monitoring
- Key activated jog function for emergency OPEN/CLOSE function
- Advanced anti-tailgate feature prevents unwanted intrusion

SAFETY SPECIFICATIONS

- UL 325/991 compliant Class I, II, III, and IV. CSA approved
- ✓ Vehicle hit protection technology protects the gate operator from collision damage caused by automobile impact, avoiding costly repairs
- Built in advanced entrapment protection and alarm output
- Built in gate-in-motion alarm for industrial applications

OPTIONAL

MAX CLOUD APP

Affordable and unique APP control solution for the residential and commercial gate operator market.
Compatible with Max Operators except Phantom F6 and 2000 Plus



  Smartphone · Tablet



VIRTUAL TRANSMITTER:

- To open or close a gate from anywhere in the world - via Max Cloud App
- Supports >10,000 virtual transmitters



QUICK & RELIABLE APP COMMANDS:

- App uses a dedicated cloud server to issue gate OPEN & other commands within a second.
- Cellular data connectivity is more reliable than WiFi due to range limitations.
- Cloud based app does not use text messaging which has unpredictable delays.



MANAGE GATE SITES USING MAX CLOUD APP:

- Add Admin users that can manage the gate site database.
- Add users with optional time restrictions
- Issue temporary Guest Passes for visitors
- With Max Keypad option: Program keypad keycodes, Wiegand keycodes for card readers, radio receivers and transponders with time restrictions
- Setup Auto Open / Close Timer for Max operators
- Retrieve Event log
- Retrieve Operator Diagnostics info: Error log



MULTIPLE GATE SITES SUPPORTED BY MAX CLOUD APP

- Gate sites can be controlled and monitored individually via app



SIMPLE AND SECURE APP LOGIN :

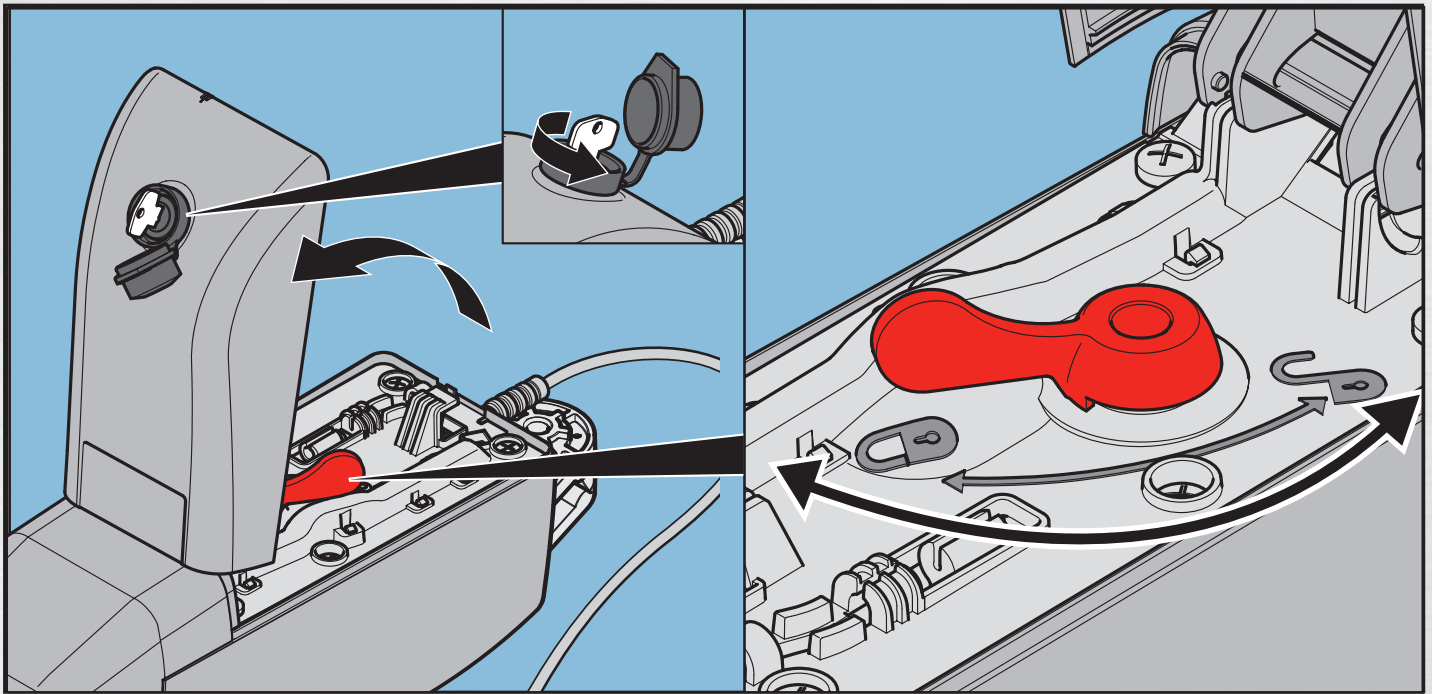
- Securely login to app using Cloud based authentication code. This avoids the need to remember passwords



USER FRIENDLY MENUS:

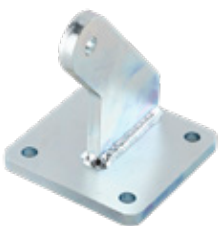
- Easy to program App Users & Guest passes with time restrictions.
- All programming is done on Max Cloud App - not a website portal

MECHANICAL RELEASE



The **Max SUPER ARM 1300** has a solid stainless steel output shaft and key lock for mechanical release. For emergency release unlock the key and lift up the hood. To engage the actuator, push down the hood and lock to resume automatic operation.

MOUNTING BRACKETS



Rear Bracket

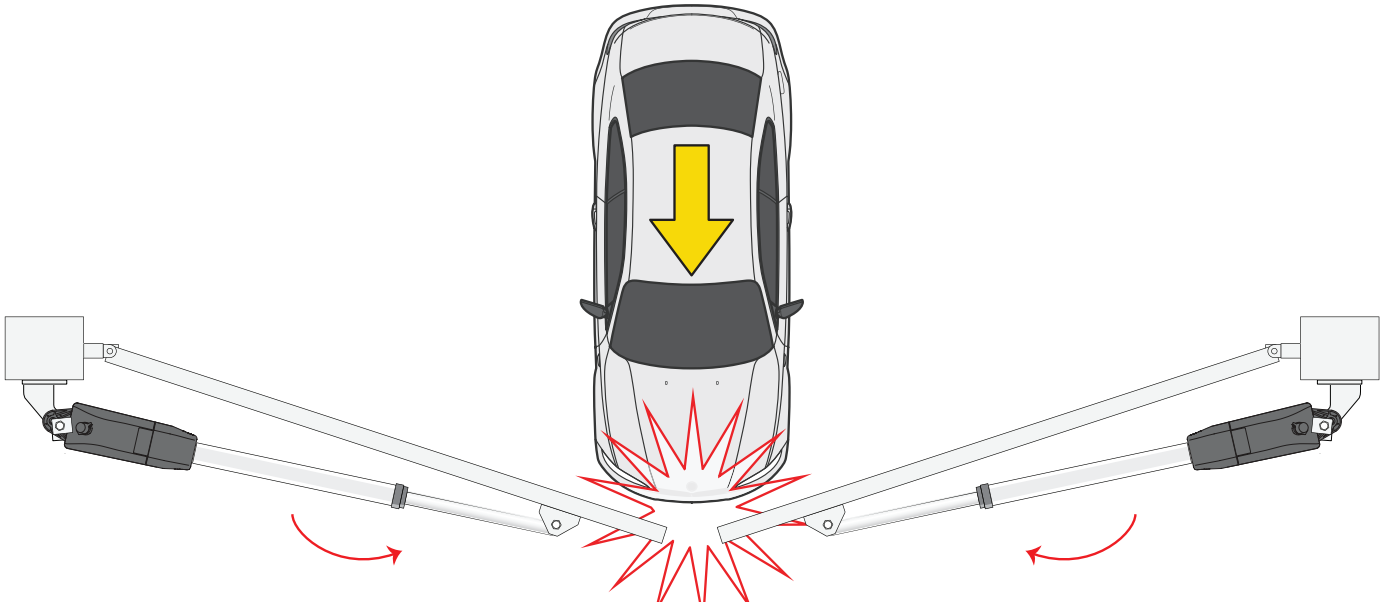


Front Bracket

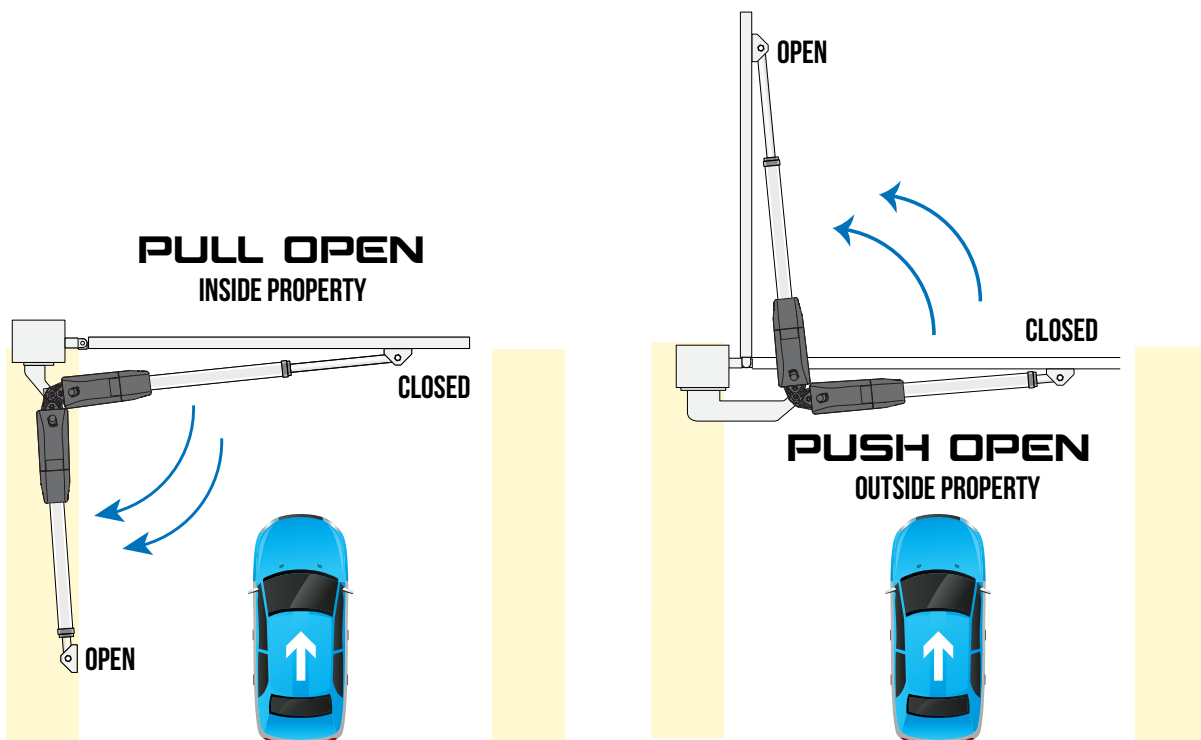
The **Max SUPER ARM 1300** ships with a heavy duty half inch stock rear bracket that is broached and welded. Both brackets front and rear, are silver zinc plated.

VEHICLE HIT PROTECTION

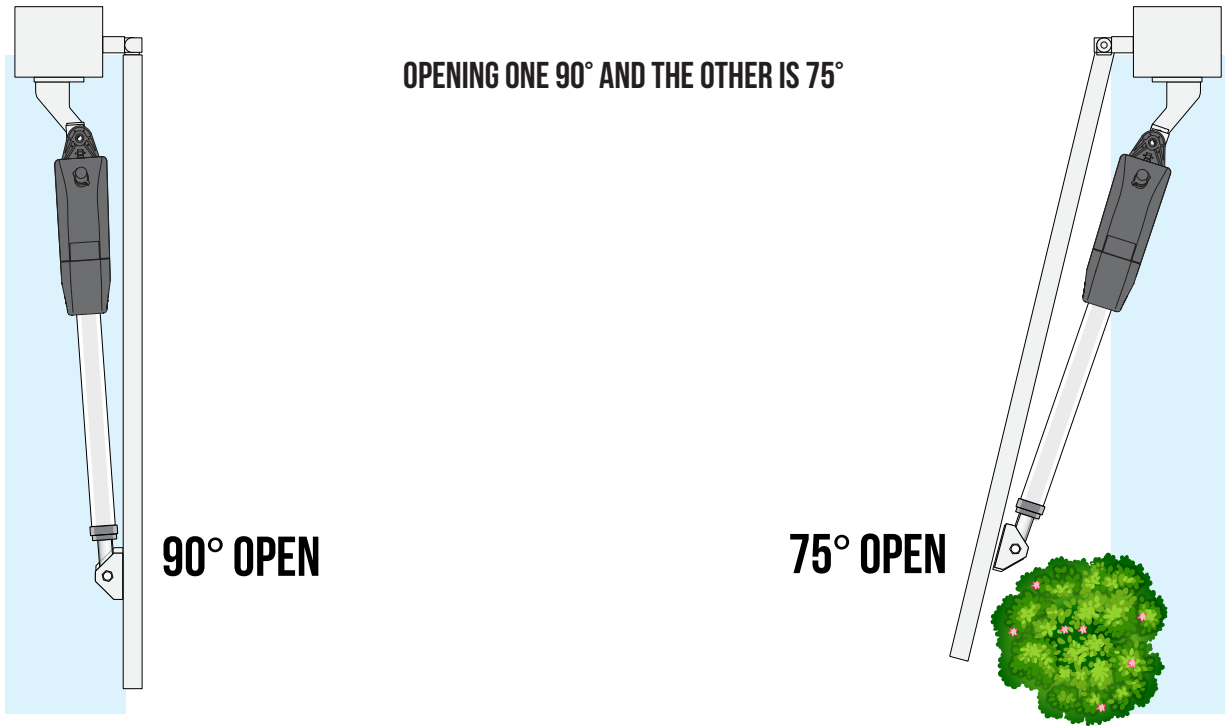
Maximum Controls recognizes swing gates are more prone to vehicular collisions. For this reason, the Max SUPER ARM 1300 will collapse on impact when struck by vehicular traffic. When a vehicle hits a moving gate, to avoid damage to the actuators, the SUPER ARM 1300 reset automatically.



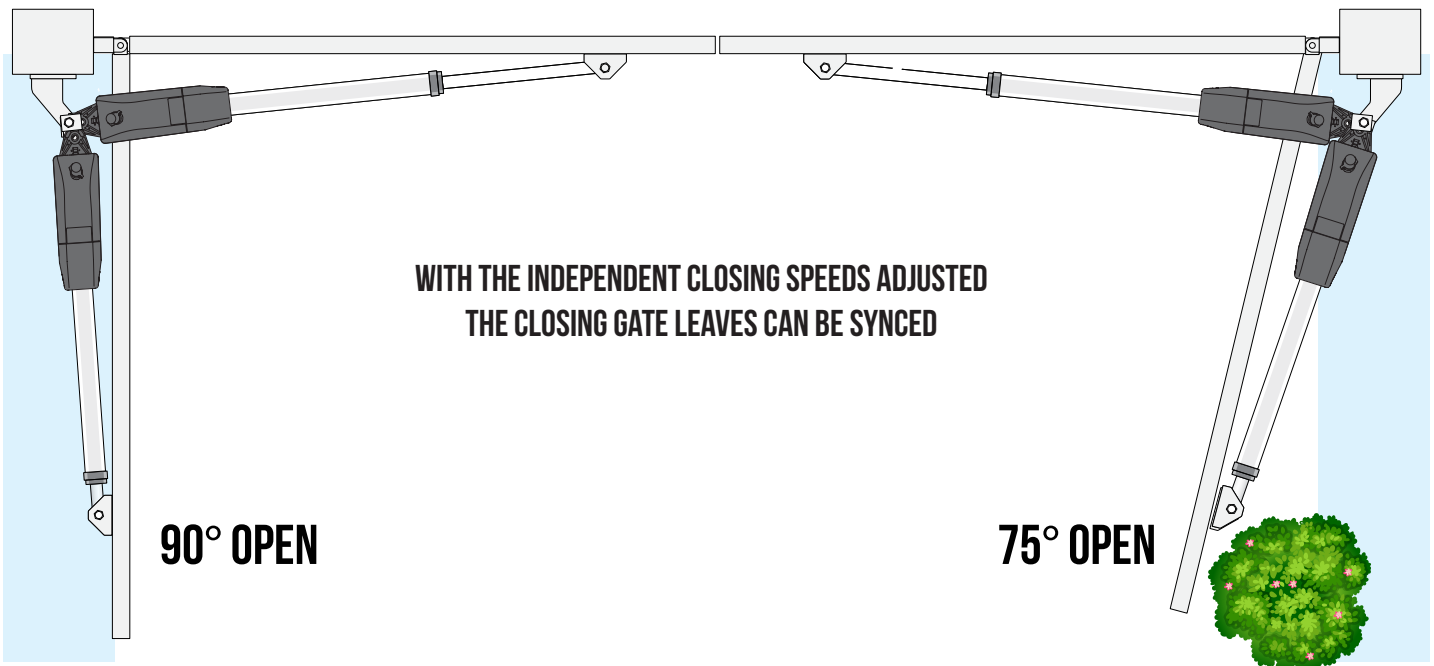
TWO INSTALLATION OPTIONS



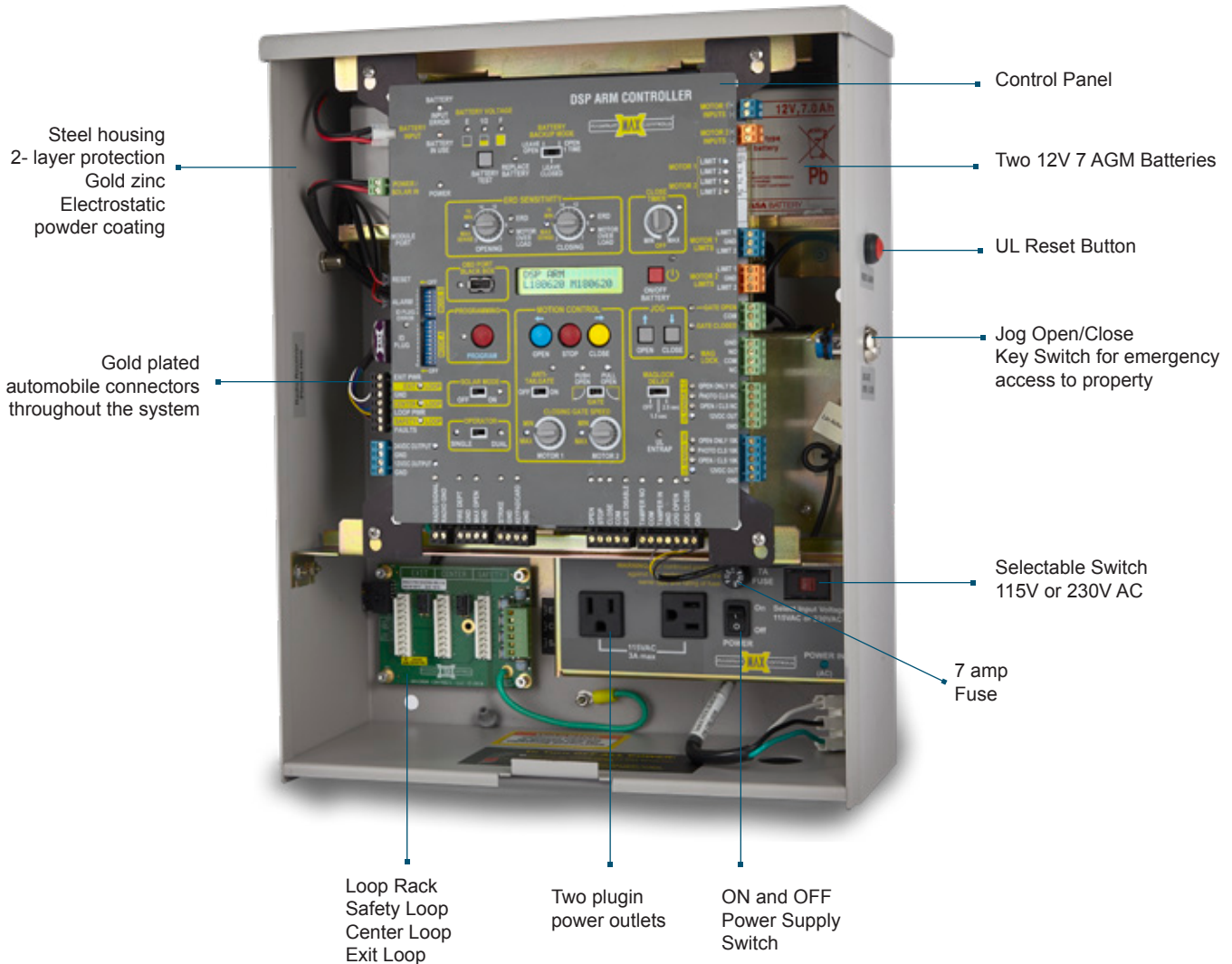
ASYMMETRIC SPEED CONTROL



For asymmetric installations, the two independent closing speeds can be adjusted to achieve a smooth closing sync. Whichever gate closes first, slow it down. This enables the installer to visually sync the closing cycle. This feature is unique to Maximum Control's actuators.



AC CONTROL BOX

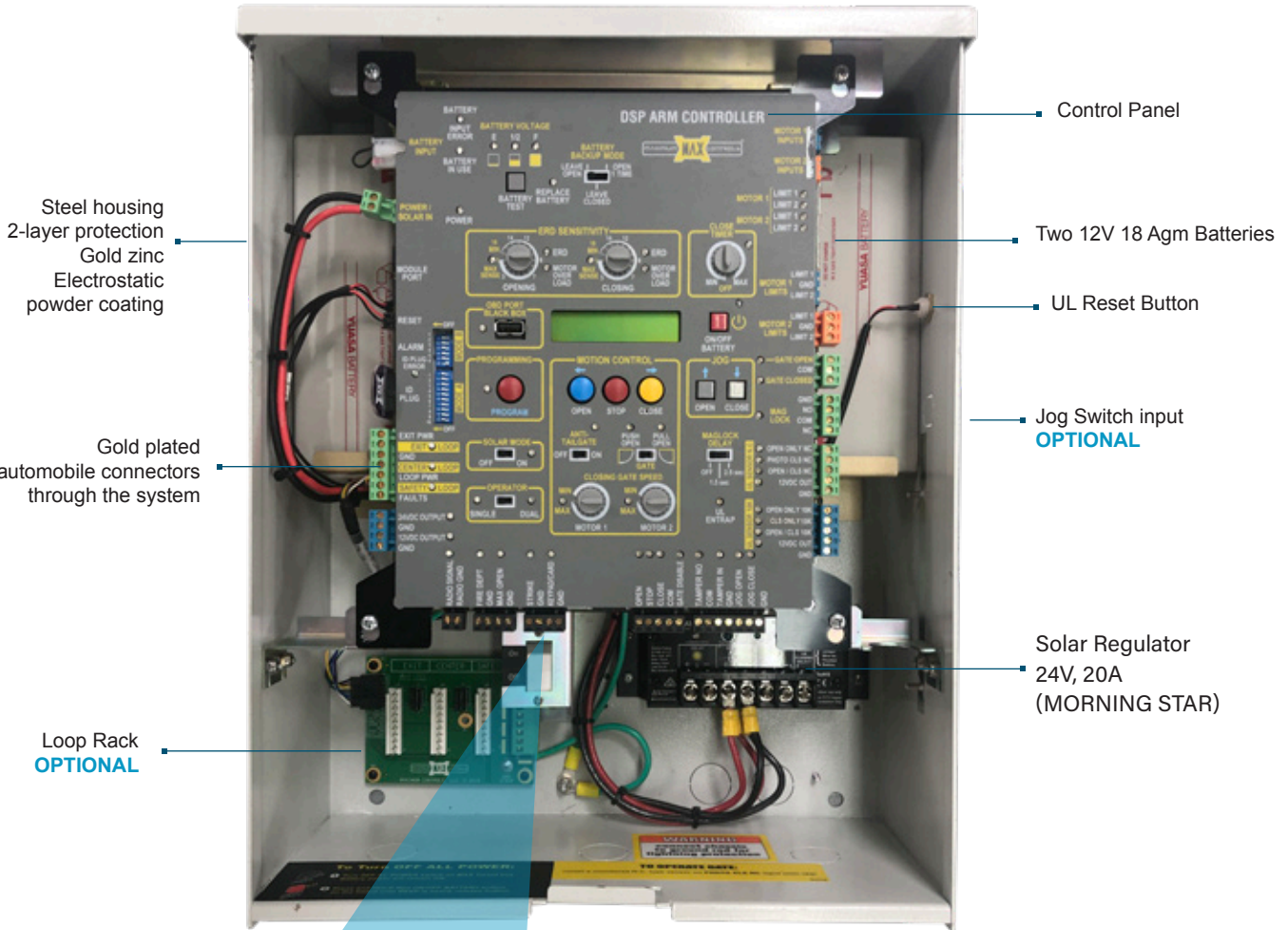


The AC Control Box features a rugged metal construction that is gold zinc plated and powder coated for corrosion resistance. The Max AC Control Box comes with an exterior UL reset button, a convenient jog key switch for emergency access or egress, a 10 amp power supply with two 115 VAC accessory outlets, two 7 amp batteries conveniently located behind the control panel, a loop rack and much more. A lockable steel cover finishes off this slick design.

A convenient LCD display keeps you informed. Functional data and error messages are visible when an accessory failure or function is present. This makes troubleshooting and monitoring a breeze.

These many features can be explored in our downloadable installation manual available on max.us.com

MAX SOLAR CONTROL BOX



Steel housing
2-layer protection
Gold zinc
Electrostatic
powder coating

Gold plated
automobile connectors
through the system

Loop Rack
OPTIONAL

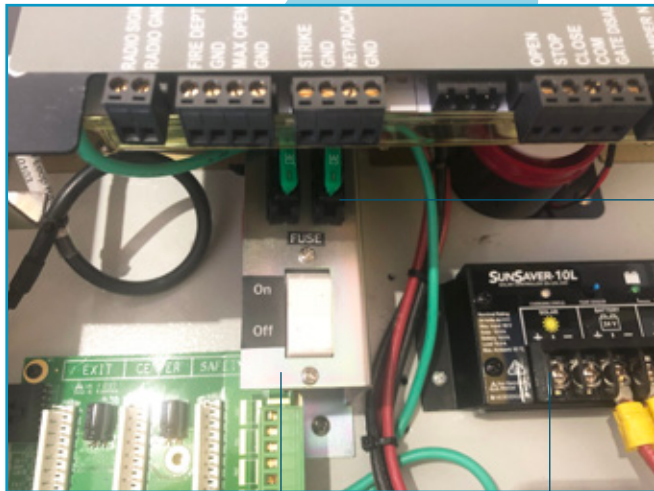
Control Panel

Two 12V 18 Agm Batteries

UL Reset Button

Jog Switch input
OPTIONAL

Solar Regulator
24V, 20A
(MORNING STAR)

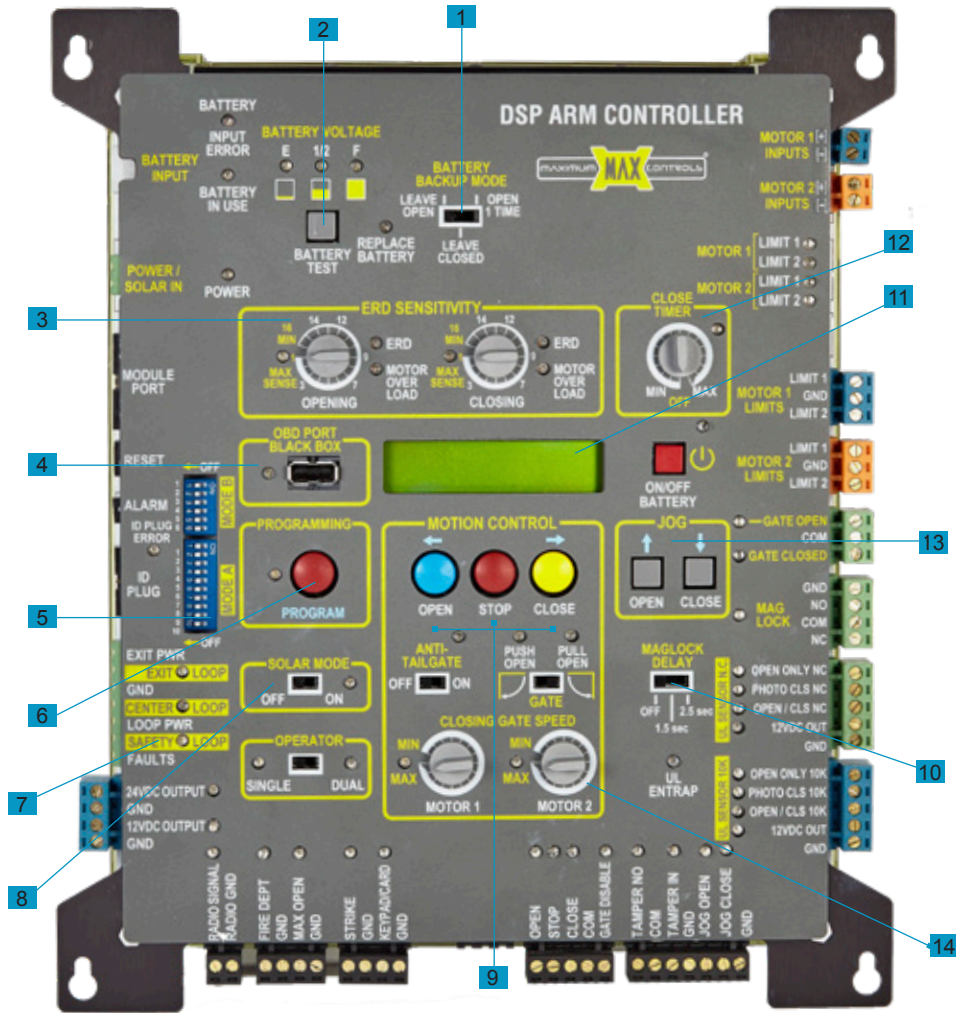


30A
FUSE

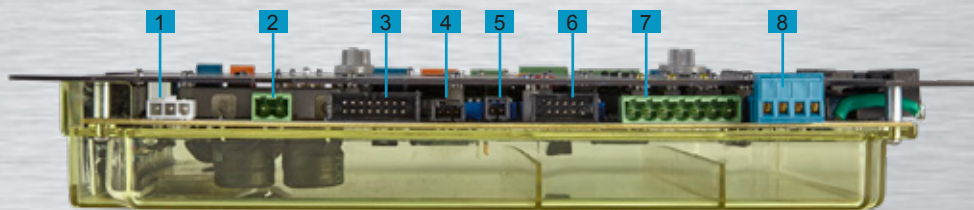
ON and OFF
Power Supply Switch

Solar Regulator
24V, 20A
(MORNING STAR)

CONTROL FEATURES AND CONNECTIONS

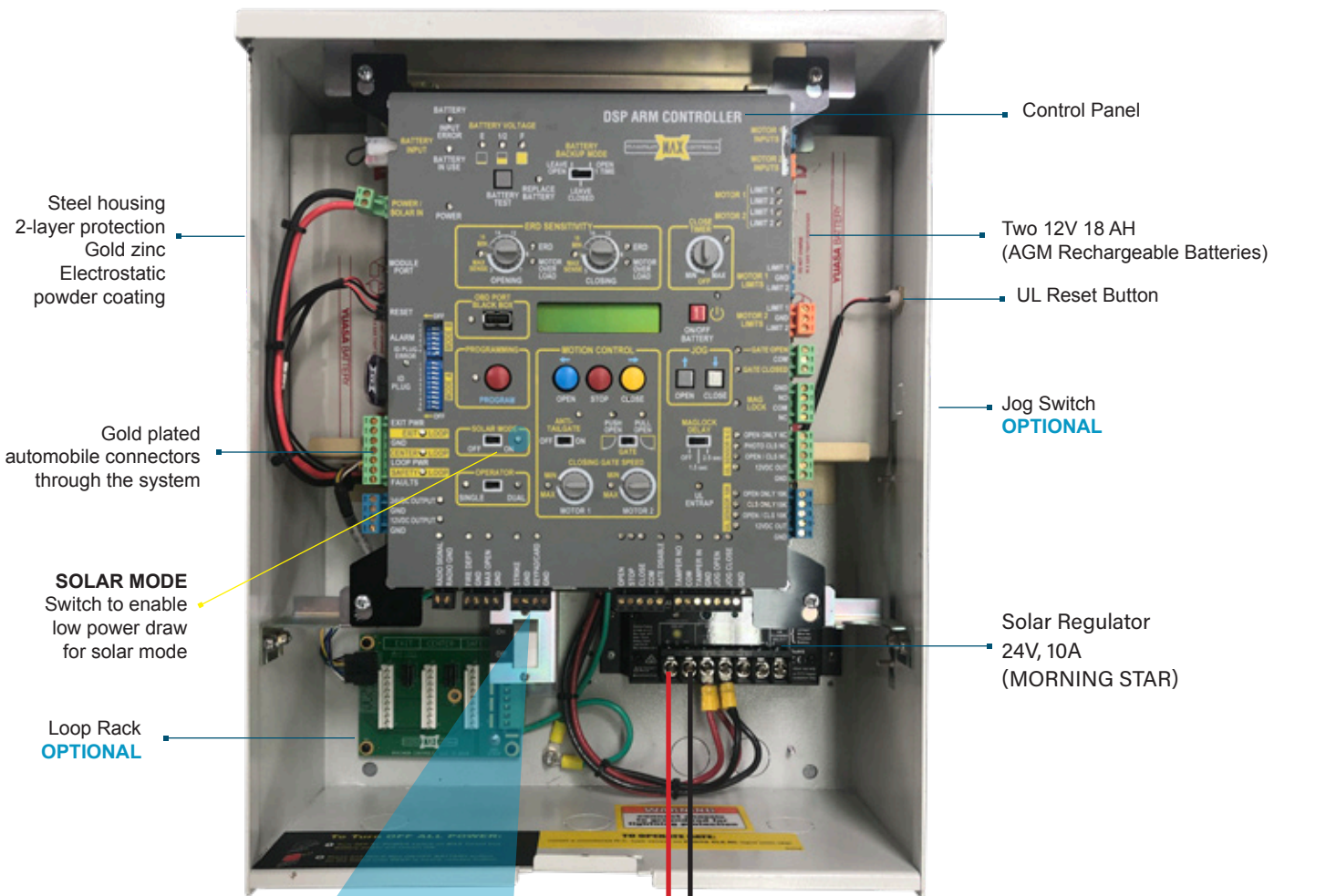


- | | |
|-------------------------------|---------------------------|
| 1. Battery Backup Mode Switch | 8. Solar Mode Application |
| 2. Battery Test Switch | 9. Motion Control Buttons |
| 3. ERD Sensitivity | 10. Maglock Delay |
| 4. OBD Port | 11. LCD Display |
| 5. DIP Switches | 12. Close Timer Switch |
| 6. Program Button | 13. Jog Open/Close |
| 7. Loop Status | 14. Closing Gate Speed |



- | | |
|----------------------|---|
| 1. Battery Input | 5. UL Alarm |
| 2. Power/Solar Input | 6. ID Plug |
| 3. Module Port | 7. Loop Rack Input |
| 4. Reset | 8. 12VDC & 24VDC Limited Current Power Output |

MAX SOLAR CONTROL BOX



Steel housing
2-layer protection
Gold zinc
Electrostatic
powder coating

Gold plated
automobile connectors
through the system

SOLAR MODE
Switch to enable
low power draw
for solar mode

Loop Rack
OPTIONAL

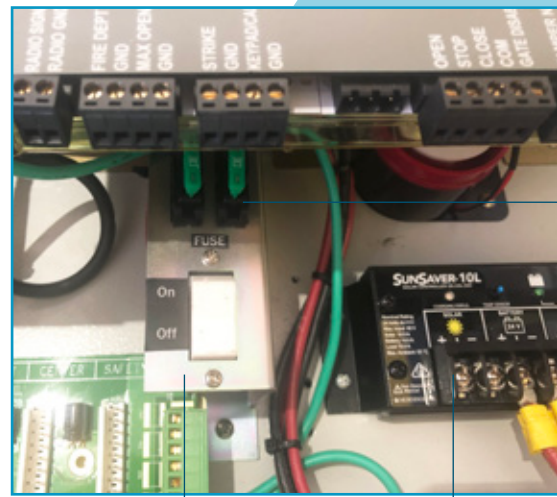
Control Panel

Two 12V 18 AH
(AGM Rechargeable Batteries)

UL Reset Button

Jog Switch
OPTIONAL

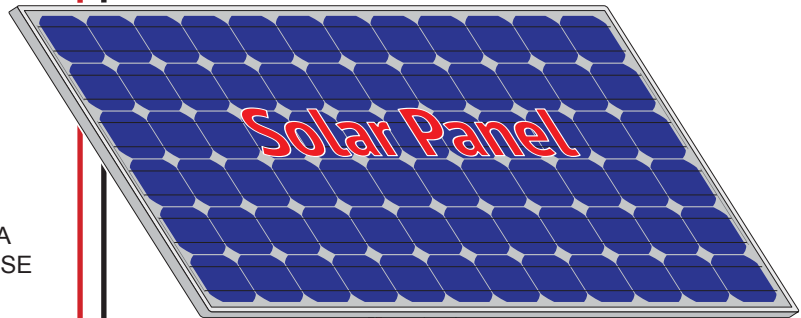
Solar Regulator
24V, 10A
(MORNING STAR)



ON and OFF
Power Supply Switch

Solar Regulator
24V, 10A
(MORNING STAR)

30A
FUSE



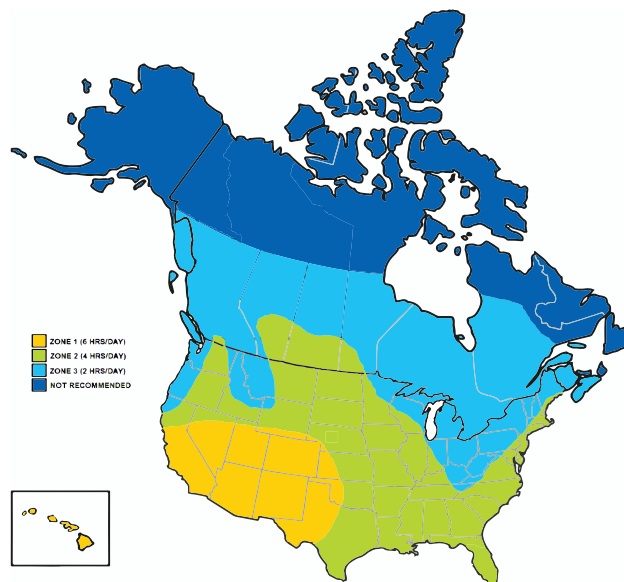
24V Solar Panel
Output: 36 V (Max) -
Open Circuit

Wire solar panel terminals to
solar regulator input
Caution: polarity matters

Select proper solar panel

SWING, ACTUATOR

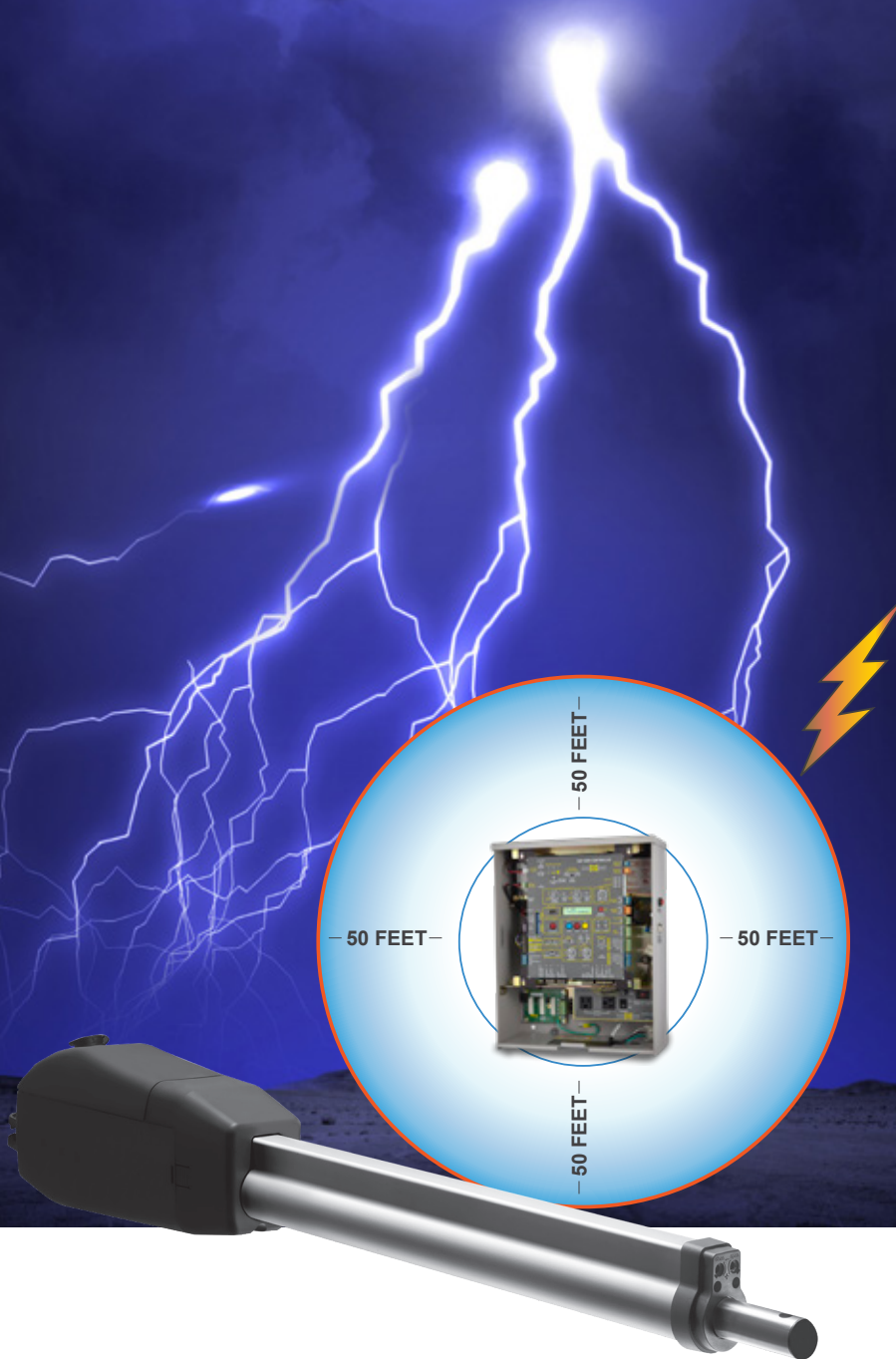
ACTUATOR		GATE SOLAR CYCLES PER DAY		
		ZONE 1 (6 Hrs Sunlight/Day)	ZONE 2 (4 Hrs Sunlight/Day)	ZONE 3 (2 Hrs Sunlight/Day)
PANEL SIZE	Total System Current Draw (mA)	18Ah BATTERIES	18Ah BATTERIES	18Ah BATTERIES
60 W	26	442.74	438.58	338.38
	50	408.16	400.16	296.12
	100	336.13	320.13	208.08
	200	192.08	160.06	32.01
	250	120.05	80.03	-56.02
85 W	26	442.74	438.58	434.41
	50	408.16	400.16	392.16
	100	336.13	320.13	304.12
	200	192.08	160.06	128.05
	250	120.05	80.03	40.02
120 W	26	442.74	438.58	434.41
	50	408.16	400.16	392.16
	100	336.13	320.13	304.12
	200	192.08	160.06	128.05
	250	120.05	80.03	40.02
200 W	26	442.74	438.58	434.41
	50	408.16	400.16	392.16
	100	336.13	320.13	304.12
	200	192.08	160.06	128.05
	250	120.05	80.03	40.02



The map and daily cycle rate shown are approximations based upon the average solar radiation and the temperature effects on batteries in the given regions. Local geography and weather conditions may require additional solar panels.

USE LOW POWER accessories in order to minimize power draw. Each additional accessory draws power affecting the daily cycle rate.

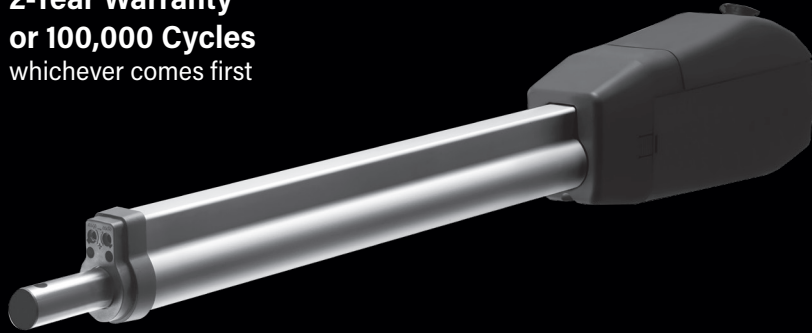
LIGHTNING PROTECTION



The Max SUPER ARM 1300 offers the most robust lightning protection available in the industry. The Super Arm protects all peripheral inputs, loop inputs, power inputs, relay outputs, and all communication lines (over 35 channels of protection) in 1/1,000,000,000 of a second. With special emphasis on power supply protection, the Max SUPER ARM 1300 is guaranteed to withstand any lightning hit more than 50 feet away. Truly protected like no other operator in the world.

MAX SUPER ARM 1300 WARRANTY

**2-Year Warranty
or 100,000 Cycles
whichever comes first**



Maximum Controls LLC Warranty and Return Policy

Section I Coverage

- a. 2 years or 100,000 cycles whichever comes first on components
- b. 1 year on batteries

Section II Not Covered

- a. Damages due to flooding
- b. Damages due to fire
- c. Damages due to negligence i.e. leaving the cover off in the rain, improper wiring of AC or peripheral systems
- d. Damages due to product misuse i.e. gate and operator combination mismatch
- e. Damages due to vandalism

Section III RMA Shipping Policy

- a. Maximum Controls LLC will pay for return shipping via standard ground UPS or USPS FOB CA on all RMA's within one year of Distributor's purchase
- b. Any form of "Expedited Shipping" on any RMA will be paid by Distributor

Section IV Product Returns

- a. Products must be in original, resalable condition with all warranty information, manuals, and original packaging.
- b. A re-stock fee of 10% will be charged on all returned products.
- c. All returned products must reference a Maximum Controls PRA number or it will be refused.
- d. Maximum Controls is not responsible for freight charges associated with returned merchandise.

